

Datasheets

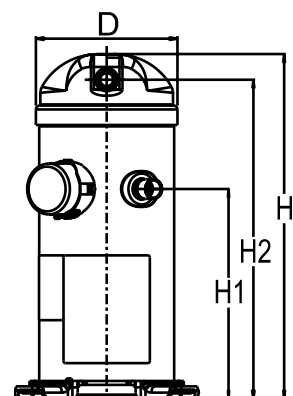
Danfoss scroll compressors **H series**



General Characteristics

Model number (on compressor nameplate)		HRH054U4LP6
Code number for Singlepack*		120U1376
Code number for Industrial pack**		120U1373
Drawing number		0XR6002B-2
Suction and discharge connections		Brazed
Suction connection		7/8 " ODF
Discharge connection		1/2 " ODF
Oil sight glass		None
Oil equalisation connection		None
Oil drain connection		None
LP gauge port		None
IPR valve		Yes
Swept volume		52.11 cm ³ /rev
Displacement @ Nominal speed		9.1 m ³ /h @ 2900 rpm - 10.9 m ³ /h @ 3500 rpm
Net weight		37.19 kg
Oil charge		1.57 litre, PVE --
Maximum system test pressure Low Side / High side		- bar(g) / - bar(g)
Maximum differential test pressure		- bar
Maximum number of starts per hour		-
Refrigerant charge limit		5.44 kg
Approved refrigerants		R410A

Dimensions

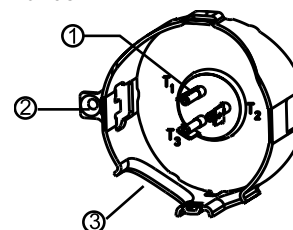


D=183.5 mm
H=455 mm
H1=280 mm
H2=422 mm
H3=- mm

Electrical Characteristics

Nominal voltage	380-415V/3/50Hz - 460V/3/60Hz
Voltage range	342-457 V @ 50Hz - 414-506 V @ 60Hz
Winding resistance between phases 1-2 +/- 7% at 25°C	2.316 Ω
Winding resistance between phases 1-3 +/- 7% at 25°C	2.330 Ω
Winding resistance between phases 2-3 +/- 7% at 25°C	2.360 Ω
Rated Load Amps (RLA)	9.6 A
Maximum Continuous Current (MCC)	15 A
Locked Rotor Amps (LRA)	70 A
Motor protection	Internal overload protector

Terminal box



IP22

- 1: Spade connectors 1/4"
- 2: Earth connection
- 3: Power cable passage

Recommended Installation torques

Oil sight glass	52.5 Nm
Power connections / Earth connection	0 Nm / 0 Nm

Parts shipped with compressor

Mounting kit with grommets and sleeves
Initial oil charge
Installation instructions

Approvals : CE certified, UL certified (file SA11565), -

*Singlepack: Compressor in cardboard box

**Industrial pack: 12 or 16 Unboxed compressors on pallet

Rotolock accessories, suction side

Code no.

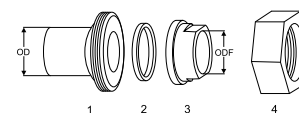
Rotolock valve, V05 (1-1/4" Rotolock, 7/8" ODF)	8168030
Gasket, 1-1/4"	8156131

Rotolock accessories, discharge side

Code no.

Solder sleeve, P06 (1" Rotolock, 1/2" ODF)	8153007
Angle adapter, C06 (1" Rotolock, 1/2" ODF)	8168007
Rotolock valve, V06 (1" Rotolock, 1/2" ODF)	8168031
Gasket, 1"	8156130

Solder sleeve adapter set



- 1: Rotolock adapter (Suc & Dis)
- 2: Gasket (Suc & Dis)
- 3: Solder sleeve (Suc & Dis)
- 4: Rotolock nut (Suc & Dis)

Rotolock accessories, sets

Code no.

Solder sleeve adapter set (1-1/4" Rotolock, 7/8" ODF), (1" Rotolock, 1/2" ODF)	120Z0127
Gasket set, 1", 1-1/4", 1-3/4", OSG gaskets black & white	8156009

Oil / lubricants

Code no.

PVE lubricant, 320HV (FVC68D), 1 litre can	120Z5034
--	----------

Crankcase heaters

Code no.

Belt type crankcase heater, 50 W, 230 V, CE mark, UL	120Z0057
Belt type crankcase heater, 50 W, 400 V, CE mark, UL	120Z0058

Miscellaneous accessories

Code no.

Acoustic hood	120Z5044
Discharge thermostat kit	7750009
IP54 upgrade kit	118U0056

Spare parts

Code no.

Mounting kit for 1 scroll compressor including 4 grommets, 4 sleeves, 4 bolts, 4 washers	120Z5005
Mounting kit, including 1 bolt, 1 sleeve, 1 washer	120Z5031
No translation for 120Z5015	120Z5015

Performance data at 50 Hz, EN 12900 rating conditions
R410A

Cond. temp. in °C (tc)	Evaporating temperature in °C (to)							
	-25	-20	-15	-10	-5	0	5	10

Cooling capacity in W

30	4 722	5 951	7 328	8 926	10 822	13 090	15 808	19 049	-
35	4 209	5 505	6 883	8 419	10 186	12 259	14 715	17 627	-
40	-	4 915	6 344	7 866	9 554	11 484	13 728	16 363	-
45	-	-	5 659	7 215	8 874	10 708	12 792	15 199	-
50	-	-	-	6 418	8 093	9 879	11 851	14 079	-
55	-	-	-	-	7 160	8 942	10 845	12 940	-
60	-	-	-	-	-	7 837	9 709	11 711	-
65	-	-	-	-	-	-	8 362	10 294	-

Power input in W

30	2 532	2 565	2 586	2 593	2 581	2 548	2 492	2 408	-
35	2 798	2 838	2 868	2 885	2 886	2 867	2 826	2 760	-
40	-	3 152	3 188	3 212	3 222	3 215	3 187	3 134	-
45	-	-	3 552	3 581	3 597	3 597	3 578	3 538	-
50	-	-	-	3 997	4 016	4 021	4 009	3 976	-
55	-	-	-	-	4 485	4 492	4 483	4 456	-
60	-	-	-	-	-	5 017	5 009	4 983	-
65	-	-	-	-	-	-	5 591	5 565	-

Current consumption in A

30	5.00	5.01	5.07	5.12	5.12	5.03	4.80	4.39	-
35	5.25	5.30	5.40	5.50	5.57	5.54	5.39	5.06	-
40	-	5.67	5.79	5.92	6.01	6.03	5.92	5.65	-
45	-	-	6.27	6.40	6.51	6.54	6.46	6.22	-
50	-	-	-	7.02	7.11	7.13	7.05	6.81	-
55	-	-	-	-	7.85	7.84	7.73	7.48	-
60	-	-	-	-	-	8.72	8.56	8.27	-
65	-	-	-	-	-	-	9.59	9.22	-

Mass flow in kg/h

30	99	122	149	179	214	257	308	369	-
35	93	119	147	177	212	252	300	356	-
40	-	112	143	175	210	249	294	347	-
45	-	-	135	170	206	246	290	341	-
50	-	-	-	161	201	242	287	336	-
55	-	-	-	-	191	235	282	332	-
60	-	-	-	-	-	225	274	326	-
65	-	-	-	-	-	-	263	317	-

Coefficient of performance (C.O.P.)

30	1.87	2.32	2.83	3.44	4.19	5.14	6.34	7.91	-
35	1.50	1.94	2.40	2.92	3.53	4.28	5.21	6.39	-
40	-	1.56	1.99	2.45	2.96	3.57	4.31	5.22	-
45	-	-	1.59	2.02	2.47	2.98	3.57	4.30	-
50	-	-	-	1.61	2.02	2.46	2.96	3.54	-
55	-	-	-	-	1.60	1.99	2.42	2.90	-
60	-	-	-	-	-	1.56	1.94	2.35	-
65	-	-	-	-	-	-	1.50	1.85	-

Nominal performance at to = 5 °C, tc = 50 °C

Cooling capacity	11 851	W
Power input	4 009	W
Current consumption	7.05	A
Mass flow	287	kg/h
C.O.P.	2.96	

Pressure switch settings

Maximum HP switch setting	45	bar(g)
Minimum LP switch setting	1.5	bar(g)
LP pump down setting	2.3	bar(g)

Sound power data

Sound power level	67	dB(A)
With acoustic hood	62	dB(A)

to: Evaporating temperature at dew point

tc: Condensing temperature at dew point

Rating conditions : Superheat = 10 K , Subcooling = 0 K

All performance data +/- 5%

Danfoss can accept no responsibility for possible errors in catalogues, brochures and other printed material. Danfoss reserves the right to alter its products without notice. This also applies to products already on order provided that such alternations can be made without subsequential changes being necessary in specifications already agreed. All trademarks in this material are property of the respective companies. Danfoss and the Danfoss logotype are trademarks of Danfoss A/S. All rights reserved.

Performance data at 50 Hz, ARI rating conditions

R410A

Cond. temp. in °C (tc)	Evaporating temperature in °C (to)							
	-25	-20	-15	-10	-5	0	5	10

Cooling capacity in W

30	5 100	6 420	7 897	9 610	11 641	14 069	16 976	20 441	-
35	-	5 977	7 465	9 120	11 023	13 254	15 895	19 024	-
40	-	-	6 931	8 583	10 414	12 503	14 932	17 781	-
45	-	-	6 240	7 945	9 758	11 761	14 034	16 657	-
50	-	-	-	7 149	9 000	10 971	13 143	15 595	-
55	-	-	-	-	8 084	10 079	12 204	14 541	-
60	-	-	-	-	-	9 027	11 162	13 439	-
65	-	-	-	-	-	-	9 961	12 232	-

Power input in W

30	2 532	2 565	2 586	2 593	2 581	2 548	2 492	2 408	-
35	-	2 838	2 868	2 885	2 886	2 867	2 826	2 760	-
40	-	-	3 188	3 212	3 222	3 215	3 187	3 134	-
45	-	-	3 552	3 581	3 597	3 597	3 578	3 538	-
50	-	-	-	3 997	4 016	4 021	4 009	3 976	-
55	-	-	-	-	4 485	4 492	4 483	4 456	-
60	-	-	-	-	-	5 017	5 009	4 983	-
65	-	-	-	-	-	-	5 591	5 565	-

Current consumption in A

30	5.00	5.01	5.07	5.12	5.12	5.03	4.80	4.39	-
35	-	5.30	5.40	5.50	5.57	5.54	5.39	5.06	-
40	-	-	5.79	5.92	6.01	6.03	5.92	5.65	-
45	-	-	6.27	6.40	6.51	6.54	6.46	6.22	-
50	-	-	-	7.02	7.11	7.13	7.05	6.81	-
55	-	-	-	-	7.85	7.84	7.73	7.48	-
60	-	-	-	-	-	8.72	8.56	8.27	-
65	-	-	-	-	-	-	9.59	9.22	-

Mass flow in kg/h

30	98	122	148	178	213	255	306	367	-
35	-	119	146	176	211	251	298	354	-
40	-	-	142	174	208	247	292	345	-
45	-	-	134	169	205	244	288	338	-
50	-	-	-	160	199	240	285	334	-
55	-	-	-	-	190	234	280	329	-
60	-	-	-	-	-	223	272	323	-
65	-	-	-	-	-	-	261	315	-

Coefficient of performance (C.O.P.)

30	2.01	2.50	3.05	3.71	4.51	5.52	6.81	8.49	-
35	-	2.11	2.60	3.16	3.82	4.62	5.62	6.89	-
40	-	-	2.17	2.67	3.23	3.89	4.69	5.67	-
45	-	-	1.76	2.22	2.71	3.27	3.92	4.71	-
50	-	-	-	1.79	2.24	2.73	3.28	3.92	-
55	-	-	-	-	1.80	2.24	2.72	3.26	-
60	-	-	-	-	-	1.80	2.23	2.70	-
65	-	-	-	-	-	-	1.78	2.20	-

Nominal performance at to = 7.2 °C, tc = 54.4 °C

Cooling capacity	13 322	W
Power input	4 414	W
Current consumption	7.55	A
Mass flow	302	kg/h
C.O.P.	3.02	

Pressure switch settings

Maximum HP switch setting	45	bar(g)
Minimum LP switch setting	1.5	bar(g)
LP pump down setting	2.3	bar(g)

Sound power data

Sound power level	67	dB(A)
With acoustic hood	62	dB(A)

to: Evaporating temperature at dew point

tc: Condensing temperature at dew point

Rating conditions : Superheat = 11.1 K , Subcooling = 8.3 K

All performance data +/- 5%

Danfoss can accept no responsibility for possible errors in catalogues, brochures and other printed material. Danfoss reserves the right to alter its products without notice. This also applies to products already on order provided that such alternations can be made without subsequential changes being necessary in specifications already agreed. All trademarks in this material are property of the respective companies. Danfoss and the Danfoss logotype are trademarks of Danfoss A/S. All rights reserved.

Performance data at 60 Hz, EN 12900 rating conditions

R410A

Cond. temp. in °C (tc)	Evaporating temperature in °C (to)							
	-25	-20	-15	-10	-5	0	5	10

Cooling capacity in W

30	5 655	7 127	8 774	10 688	12 958	15 675	18 929	22 810	-
35	5 041	6 592	8 243	10 082	12 198	14 681	17 621	21 108	-
40	-	5 886	7 597	9 420	11 442	13 752	16 440	19 595	-
45	-	-	6 778	8 641	10 628	12 825	15 320	18 203	-
50	-	-	-	7 687	9 693	11 833	14 194	16 863	-
55	-	-	-	-	8 576	10 710	12 990	15 500	-
60	-	-	-	-	-	9 388	11 631	14 029	-
65	-	-	-	-	-	-	10 018	12 333	-

Power input in W

30	2 956	2 995	3 020	3 027	3 014	2 975	2 909	2 811	-
35	3 265	3 312	3 347	3 367	3 368	3 346	3 298	3 221	-
40	-	3 676	3 718	3 747	3 758	3 749	3 717	3 656	-
45	-	-	4 140	4 173	4 192	4 193	4 171	4 123	-
50	-	-	-	4 655	4 677	4 683	4 669	4 631	-
55	-	-	-	-	5 220	5 228	5 217	5 185	-
60	-	-	-	-	-	5 835	5 825	5 795	-
65	-	-	-	-	-	-	6 498	6 467	-

Current consumption in A

30	5.18	5.22	5.26	5.30	5.35	5.41	5.49	5.59	-
35	5.45	5.50	5.55	5.59	5.63	5.68	5.75	5.83	-
40	-	5.81	5.87	5.92	5.97	6.02	6.07	6.13	-
45	-	-	6.24	6.30	6.36	6.41	6.46	6.51	-
50	-	-	-	6.73	6.81	6.87	6.92	6.97	-
55	-	-	-	-	7.32	7.39	7.46	7.52	-
60	-	-	-	-	-	8.00	8.08	8.15	-
65	-	-	-	-	-	-	8.79	8.87	-

Mass flow in kg/h

30	118	147	178	214	257	308	369	442	-
35	111	143	176	212	254	302	359	426	-
40	-	135	171	209	251	298	352	416	-
45	-	-	162	204	247	295	348	408	-
50	-	-	-	193	240	290	343	403	-
55	-	-	-	-	229	282	337	397	-
60	-	-	-	-	-	269	328	390	-
65	-	-	-	-	-	-	315	380	-

Coefficient of performance (C.O.P.)

30	1.91	2.38	2.91	3.53	4.30	5.27	6.51	8.11	-
35	1.54	1.99	2.46	2.99	3.62	4.39	5.34	6.55	-
40	-	1.60	2.04	2.51	3.04	3.67	4.42	5.36	-
45	-	-	1.64	2.07	2.54	3.06	3.67	4.41	-
50	-	-	-	1.65	2.07	2.53	3.04	3.64	-
55	-	-	-	-	1.64	2.05	2.49	2.99	-
60	-	-	-	-	-	1.61	2.00	2.42	-
65	-	-	-	-	-	-	1.54	1.91	-

Nominal performance at to = 5 °C, tc = 50 °C

Cooling capacity	14 194	W
Power input	4 669	W
Current consumption	6.92	A
Mass flow	343	kg/h
C.O.P.	3.04	

Pressure switch settings

Maximum HP switch setting	45	bar(g)
Minimum LP switch setting	1.5	bar(g)
LP pump down setting	2.3	bar(g)

Sound power data

Sound power level	70	dB(A)
With acoustic hood	65	dB(A)

to: Evaporating temperature at dew point

tc: Condensing temperature at dew point

Rating conditions : Superheat = 10 K , Subcooling = 0 K

All performance data +/- 5%

Danfoss can accept no responsibility for possible errors in catalogues, brochures and other printed material. Danfoss reserves the right to alter its products without notice. This also applies to products already on order provided that such alternations can be made without subsequential changes being necessary in specifications already agreed. All trademarks in this material are property of the respective companies. Danfoss and the Danfoss logotype are trademarks of Danfoss A/S. All rights reserved.

Performance data at 60 Hz, ARI rating conditions

R410A

Cond. temp. in °C (tc)	Evaporating temperature in °C (to)							
	-25	-20	-15	-10	-5	0	5	10

Cooling capacity in W

30	6 107	7 688	9 456	11 508	13 939	16 847	20 328	24 477	-
35	-	7 157	8 939	10 921	13 200	15 872	19 034	22 781	-
40	-	-	8 300	10 279	12 471	14 974	17 883	21 294	-
45	-	-	7 474	9 515	11 687	14 085	16 807	19 949	-
50	-	-	-	8 562	10 780	13 141	15 742	18 679	-
55	-	-	-	-	9 683	12 072	14 618	17 418	-
60	-	-	-	-	-	10 814	13 371	16 098	-
65	-	-	-	-	-	-	11 933	14 654	-

Power input in W

30	2 956	2 995	3 020	3 027	3 014	2 975	2 909	2 811	-
35	-	3 312	3 347	3 367	3 368	3 346	3 298	3 221	-
40	-	-	3 718	3 747	3 758	3 749	3 717	3 656	-
45	-	-	4 140	4 173	4 192	4 193	4 171	4 123	-
50	-	-	-	4 655	4 677	4 683	4 669	4 631	-
55	-	-	-	-	5 220	5 228	5 217	5 185	-
60	-	-	-	-	-	5 835	5 825	5 795	-
65	-	-	-	-	-	-	6 498	6 467	-

Current consumption in A

30	5.18	5.22	5.26	5.30	5.35	5.41	5.49	5.59	-
35	-	5.50	5.55	5.59	5.63	5.68	5.75	5.83	-
40	-	-	5.87	5.92	5.97	6.02	6.07	6.13	-
45	-	-	6.24	6.30	6.36	6.41	6.46	6.51	-
50	-	-	-	6.73	6.81	6.87	6.92	6.97	-
55	-	-	-	-	7.32	7.39	7.46	7.52	-
60	-	-	-	-	-	8.00	8.08	8.15	-
65	-	-	-	-	-	-	8.79	8.87	-

Mass flow in kg/h

30	117	146	177	213	255	306	366	439	-
35	-	142	175	211	252	300	356	423	-
40	-	-	170	208	250	296	350	413	-
45	-	-	161	202	246	293	345	405	-
50	-	-	-	192	239	288	341	400	-
55	-	-	-	-	228	280	335	394	-
60	-	-	-	-	-	268	326	387	-
65	-	-	-	-	-	-	313	378	-

Coefficient of performance (C.O.P.)

30	2.07	2.57	3.13	3.80	4.63	5.66	6.99	8.71	-
35	-	2.16	2.67	3.24	3.92	4.74	5.77	7.07	-
40	-	-	2.23	2.74	3.32	3.99	4.81	5.82	-
45	-	-	1.81	2.28	2.79	3.36	4.03	4.84	-
50	-	-	-	1.84	2.30	2.81	3.37	4.03	-
55	-	-	-	-	1.86	2.31	2.80	3.36	-
60	-	-	-	-	-	1.85	2.30	2.78	-
65	-	-	-	-	-	-	1.84	2.27	-

Nominal performance at to = 7.2 °C, tc = 54.4 °C

Cooling capacity	15 958	W
Power input	5 137	W
Current consumption	7.41	A
Mass flow	361	kg/h
C.O.P.	3.11	

Pressure switch settings

Maximum HP switch setting	45	bar(g)
Minimum LP switch setting	1.5	bar(g)
LP pump down setting	2.3	bar(g)

Sound power data

Sound power level	70	dB(A)
With acoustic hood	65	dB(A)

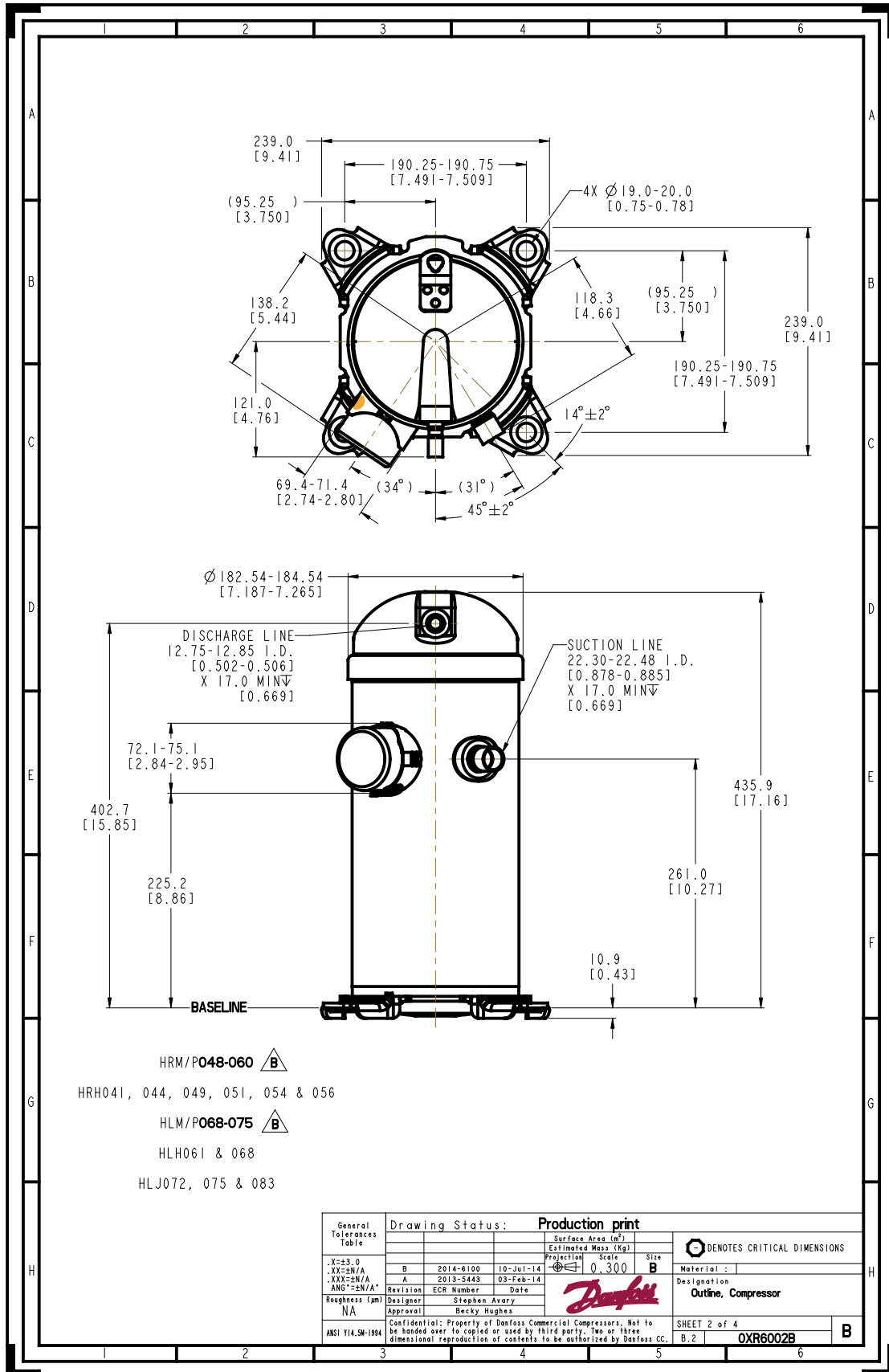
to: Evaporating temperature at dew point

tc: Condensing temperature at dew point

Rating conditions : Superheat = 11.1 K, Subcooling = 8.3 K

All performance data +/- 5%

Danfoss can accept no responsibility for possible errors in catalogues, brochures and other printed material. Danfoss reserves the right to alter its products without notice. This also applies to products already on order provided that such alternations can be made without subsequential changes being necessary in specifications already agreed. All trademarks in this material are property of the respective companies. Danfoss and the Danfoss logotype are trademarks of Danfoss A/S. All rights reserved.

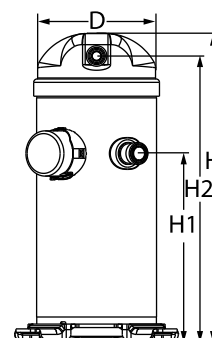


Danfoss can accept no responsibility for possible errors in catalogues, brochures and other printed material. Danfoss reserves the right to alter its products without notice. This also applies to products already on order provided that such alternations can be made without consequential changes being necessary in specifications already agreed. All trademarks in this material are property of the respective companies. Danfoss, the Danfoss logotype and Maneurop are trademarks of Danfoss A/S. All rights reserved.

General Characteristics

Model number (on compressor nameplate)		HRH054U4LT6
Code number for Singlepack*		121U3119
Code number for Industrial pack**		121U3118
Drawing number		0XR6002B-4
Suction and discharge connections		Rotolock
Suction connection		3/4 " Rotolock
Discharge connection		1/2 " Rotolock
Oil sight glass		None
Oil equalisation connection		None
Oil drain connection		None
LP gauge port		None
IPR valve		Yes
Swept volume		52.11 cm ³ /rev
Displacement @ Nominal speed		9.1 m ³ /h @ 2900 rpm - 10.9 m ³ /h @ 3500 rpm
Net weight		37.19 kg
Oil charge		1.57 litre, PVE --
Maximum system test pressure Low Side / High side		- bar(g) / - bar(g)
Maximum differential test pressure		- bar
Maximum number of starts per hour		-
Refrigerant charge limit		5.44 kg
Approved refrigerants		R410A

Dimensions

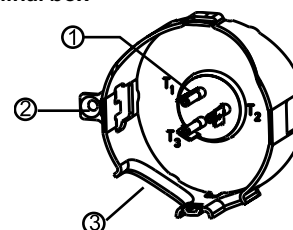


D=183.5 mm
H=455 mm
H1=280 mm
H2=422 mm
H3=- mm

Electrical Characteristics

Nominal voltage	380-415V/3/50Hz - 460V/3/60Hz
Voltage range	342-457 V @ 50Hz - 414-506 V @ 60Hz
Winding resistance between phases 1-2 +/- 7% at 25°C	2.316 Ω
Winding resistance between phases 1-3 +/- 7% at 25°C	2.330 Ω
Winding resistance between phases 2-3 +/- 7% at 25°C	2.360 Ω
Rated Load Amps (RLA)	9.6 A
Maximum Continuous Current (MCC)	15 A
Locked Rotor Amps (LRA)	70 A
Motor protection	Internal overload protector

Terminal box



IP22

- 1: Spade connectors 1/4"
- 2: Earth connection
- 3: Power cable passage

Recommended Installation torques

Oil sight glass	52.5 Nm
Power connections / Earth connection	0 Nm / 0 Nm

Parts shipped with compressor

Mounting kit with grommets and sleeves
Initial oil charge
Installation instructions

Approvals : CE certified, UL certified (file SA11565), -

*Singlepack: Compressor in cardboard box

**Industrial pack: 12 or 16 Unboxed compressors on pallet

Rotolock accessories, suction side **Code no.**

Rotolock accessories, discharge side **Code no.**

Rotolock accessories, sets **Code no.**

Oil / lubricants **Code no.**

PVE lubricant, 320HV (FVC68D), 1 litre can	120Z5034
--	----------

Crankcase heaters **Code no.**

Belt type crankcase heater, 50 W, 230 V, CE mark, UL	120Z0057
Belt type crankcase heater, 50 W, 400 V, CE mark, UL	120Z0058

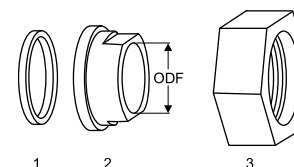
Miscellaneous accessories **Code no.**

Acoustic hood	120Z5044
Discharge thermostat kit	7750009
IP54 upgrade kit	118U0056

Spare parts **Code no.**

Mounting kit for 1 scroll compressor including 4 grommets, 4 sleeves, 4 bolts, 4 washers	120Z5005
Mounting kit, including 1 bolt, 1 sleeve, 1 washer	120Z5031
No translation for 120Z5015	120Z5015

Gaskets, sleeves and nuts



- 1: Gasket
- 2: Solder sleeve
- 3: Rotolock nut

Performance data at 50 Hz, EN 12900 rating conditions
R410A

Cond. temp. in °C (tc)	Evaporating temperature in °C (to)							
	-25	-20	-15	-10	-5	0	5	10

Cooling capacity in W

30	4 722	5 951	7 328	8 926	10 822	13 090	15 808	19 049	-
35	4 209	5 505	6 883	8 419	10 186	12 259	14 715	17 627	-
40	-	4 915	6 344	7 866	9 554	11 484	13 728	16 363	-
45	-	-	5 659	7 215	8 874	10 708	12 792	15 199	-
50	-	-	-	6 418	8 093	9 879	11 851	14 079	-
55	-	-	-	-	7 160	8 942	10 845	12 940	-
60	-	-	-	-	-	7 837	9 709	11 711	-
65	-	-	-	-	-	-	8 362	10 294	-

Power input in W

30	2 532	2 565	2 586	2 593	2 581	2 548	2 492	2 408	-
35	2 798	2 838	2 868	2 885	2 886	2 867	2 826	2 760	-
40	-	3 152	3 188	3 212	3 222	3 215	3 187	3 134	-
45	-	-	3 552	3 581	3 597	3 597	3 578	3 538	-
50	-	-	-	3 997	4 016	4 021	4 009	3 976	-
55	-	-	-	-	4 485	4 492	4 483	4 456	-
60	-	-	-	-	-	5 017	5 009	4 983	-
65	-	-	-	-	-	-	5 591	5 565	-

Current consumption in A

30	5.00	5.01	5.07	5.12	5.12	5.03	4.80	4.39	-
35	5.25	5.30	5.40	5.50	5.57	5.54	5.39	5.06	-
40	-	5.67	5.79	5.92	6.01	6.03	5.92	5.65	-
45	-	-	6.27	6.40	6.51	6.54	6.46	6.22	-
50	-	-	-	7.02	7.11	7.13	7.05	6.81	-
55	-	-	-	-	7.85	7.84	7.73	7.48	-
60	-	-	-	-	-	8.72	8.56	8.27	-
65	-	-	-	-	-	-	9.59	9.22	-

Mass flow in kg/h

30	99	122	149	179	214	257	308	369	-
35	93	119	147	177	212	252	300	356	-
40	-	112	143	175	210	249	294	347	-
45	-	-	135	170	206	246	290	341	-
50	-	-	-	161	201	242	287	336	-
55	-	-	-	-	191	235	282	332	-
60	-	-	-	-	-	225	274	326	-
65	-	-	-	-	-	-	263	317	-

Coefficient of performance (C.O.P.)

30	1.87	2.32	2.83	3.44	4.19	5.14	6.34	7.91	-
35	1.50	1.94	2.40	2.92	3.53	4.28	5.21	6.39	-
40	-	1.56	1.99	2.45	2.96	3.57	4.31	5.22	-
45	-	-	1.59	2.02	2.47	2.98	3.57	4.30	-
50	-	-	-	1.61	2.02	2.46	2.96	3.54	-
55	-	-	-	-	1.60	1.99	2.42	2.90	-
60	-	-	-	-	-	1.56	1.94	2.35	-
65	-	-	-	-	-	-	1.50	1.85	-

Nominal performance at to = 5 °C, tc = 50 °C

Cooling capacity	11 851	W
Power input	4 009	W
Current consumption	7.05	A
Mass flow	287	kg/h
C.O.P.	2.96	

Pressure switch settings

Maximum HP switch setting	45	bar(g)
Minimum LP switch setting	1.5	bar(g)
LP pump down setting	2.3	bar(g)

Sound power data

Sound power level	67	dB(A)
With acoustic hood	62	dB(A)

to: Evaporating temperature at dew point

tc: Condensing temperature at dew point

Rating conditions : Superheat = 10 K , Subcooling = 0 K

All performance data +/- 5%

Danfoss can accept no responsibility for possible errors in catalogues, brochures and other printed material. Danfoss reserves the right to alter its products without notice. This also applies to products already on order provided that such alternations can be made without subsequential changes being necessary in specifications already agreed. All trademarks in this material are property of the respective companies. Danfoss and the Danfoss logotype are trademarks of Danfoss A/S. All rights reserved.

Performance data at 50 Hz, ARI rating conditions

R410A

Cond. temp. in °C (tc)	Evaporating temperature in °C (to)							
	-25	-20	-15	-10	-5	0	5	10

Cooling capacity in W

30	5 100	6 420	7 897	9 610	11 641	14 069	16 976	20 441	-
35	-	5 977	7 465	9 120	11 023	13 254	15 895	19 024	-
40	-	-	6 931	8 583	10 414	12 503	14 932	17 781	-
45	-	-	6 240	7 945	9 758	11 761	14 034	16 657	-
50	-	-	-	7 149	9 000	10 971	13 143	15 595	-
55	-	-	-	-	8 084	10 079	12 204	14 541	-
60	-	-	-	-	-	9 027	11 162	13 439	-
65	-	-	-	-	-	-	9 961	12 232	-

Power input in W

30	2 532	2 565	2 586	2 593	2 581	2 548	2 492	2 408	-
35	-	2 838	2 868	2 885	2 886	2 867	2 826	2 760	-
40	-	-	3 188	3 212	3 222	3 215	3 187	3 134	-
45	-	-	3 552	3 581	3 597	3 597	3 578	3 538	-
50	-	-	-	3 997	4 016	4 021	4 009	3 976	-
55	-	-	-	-	4 485	4 492	4 483	4 456	-
60	-	-	-	-	-	5 017	5 009	4 983	-
65	-	-	-	-	-	-	5 591	5 565	-

Current consumption in A

30	5.00	5.01	5.07	5.12	5.12	5.03	4.80	4.39	-
35	-	5.30	5.40	5.50	5.57	5.54	5.39	5.06	-
40	-	-	5.79	5.92	6.01	6.03	5.92	5.65	-
45	-	-	6.27	6.40	6.51	6.54	6.46	6.22	-
50	-	-	-	7.02	7.11	7.13	7.05	6.81	-
55	-	-	-	-	7.85	7.84	7.73	7.48	-
60	-	-	-	-	-	8.72	8.56	8.27	-
65	-	-	-	-	-	-	9.59	9.22	-

Mass flow in kg/h

30	98	122	148	178	213	255	306	367	-
35	-	119	146	176	211	251	298	354	-
40	-	-	142	174	208	247	292	345	-
45	-	-	134	169	205	244	288	338	-
50	-	-	-	160	199	240	285	334	-
55	-	-	-	-	190	234	280	329	-
60	-	-	-	-	-	223	272	323	-
65	-	-	-	-	-	-	261	315	-

Coefficient of performance (C.O.P.)

30	2.01	2.50	3.05	3.71	4.51	5.52	6.81	8.49	-
35	-	2.11	2.60	3.16	3.82	4.62	5.62	6.89	-
40	-	-	2.17	2.67	3.23	3.89	4.69	5.67	-
45	-	-	1.76	2.22	2.71	3.27	3.92	4.71	-
50	-	-	-	1.79	2.24	2.73	3.28	3.92	-
55	-	-	-	-	1.80	2.24	2.72	3.26	-
60	-	-	-	-	-	1.80	2.23	2.70	-
65	-	-	-	-	-	-	1.78	2.20	-

Nominal performance at to = 7.2 °C, tc = 54.4 °C

Cooling capacity	13 322	W
Power input	4 414	W
Current consumption	7.55	A
Mass flow	302	kg/h
C.O.P.	3.02	

Pressure switch settings

Maximum HP switch setting	45	bar(g)
Minimum LP switch setting	1.5	bar(g)
LP pump down setting	2.3	bar(g)

Sound power data

Sound power level	67	dB(A)
With acoustic hood	62	dB(A)

to: Evaporating temperature at dew point

tc: Condensing temperature at dew point

Rating conditions : Superheat = 11.1 K , Subcooling = 8.3 K

All performance data +/- 5%

Danfoss can accept no responsibility for possible errors in catalogues, brochures and other printed material. Danfoss reserves the right to alter its products without notice. This also applies to products already on order provided that such alternations can be made without subsequential changes being necessary in specifications already agreed. All trademarks in this material are property of the respective companies. Danfoss and the Danfoss logotype are trademarks of Danfoss A/S. All rights reserved.

Performance data at 60 Hz, EN 12900 rating conditions
R410A

Cond. temp. in °C (tc)	Evaporating temperature in °C (to)							
	-25	-20	-15	-10	-5	0	5	10

Cooling capacity in W

30	5 655	7 127	8 774	10 688	12 958	15 675	18 929	22 810	-
35	5 041	6 592	8 243	10 082	12 198	14 681	17 621	21 108	-
40	-	5 886	7 597	9 420	11 442	13 752	16 440	19 595	-
45	-	-	6 778	8 641	10 628	12 825	15 320	18 203	-
50	-	-	-	7 687	9 693	11 833	14 194	16 863	-
55	-	-	-	-	8 576	10 710	12 990	15 500	-
60	-	-	-	-	-	9 388	11 631	14 029	-
65	-	-	-	-	-	-	10 018	12 333	-

Power input in W

30	2 956	2 995	3 020	3 027	3 014	2 975	2 909	2 811	-
35	3 265	3 312	3 347	3 367	3 368	3 346	3 298	3 221	-
40	-	3 676	3 718	3 747	3 758	3 749	3 717	3 656	-
45	-	-	4 140	4 173	4 192	4 193	4 171	4 123	-
50	-	-	-	4 655	4 677	4 683	4 669	4 631	-
55	-	-	-	-	5 220	5 228	5 217	5 185	-
60	-	-	-	-	-	5 835	5 825	5 795	-
65	-	-	-	-	-	-	6 498	6 467	-

Current consumption in A

30	5.18	5.22	5.26	5.30	5.35	5.41	5.49	5.59	-
35	5.45	5.50	5.55	5.59	5.63	5.68	5.75	5.83	-
40	-	5.81	5.87	5.92	5.97	6.02	6.07	6.13	-
45	-	-	6.24	6.30	6.36	6.41	6.46	6.51	-
50	-	-	-	6.73	6.81	6.87	6.92	6.97	-
55	-	-	-	-	7.32	7.39	7.46	7.52	-
60	-	-	-	-	-	8.00	8.08	8.15	-
65	-	-	-	-	-	-	8.79	8.87	-

Mass flow in kg/h

30	118	147	178	214	257	308	369	442	-
35	111	143	176	212	254	302	359	426	-
40	-	135	171	209	251	298	352	416	-
45	-	-	162	204	247	295	348	408	-
50	-	-	-	193	240	290	343	403	-
55	-	-	-	-	229	282	337	397	-
60	-	-	-	-	-	269	328	390	-
65	-	-	-	-	-	-	315	380	-

Coefficient of performance (C.O.P.)

30	1.91	2.38	2.91	3.53	4.30	5.27	6.51	8.11	-
35	1.54	1.99	2.46	2.99	3.62	4.39	5.34	6.55	-
40	-	1.60	2.04	2.51	3.04	3.67	4.42	5.36	-
45	-	-	1.64	2.07	2.54	3.06	3.67	4.41	-
50	-	-	-	1.65	2.07	2.53	3.04	3.64	-
55	-	-	-	-	1.64	2.05	2.49	2.99	-
60	-	-	-	-	-	1.61	2.00	2.42	-
65	-	-	-	-	-	-	1.54	1.91	-

Nominal performance at to = 5 °C, tc = 50 °C

Cooling capacity	14 194	W
Power input	4 669	W
Current consumption	6.92	A
Mass flow	343	kg/h
C.O.P.	3.04	

Pressure switch settings

Maximum HP switch setting	45	bar(g)
Minimum LP switch setting	1.5	bar(g)
LP pump down setting	2.3	bar(g)

Sound power data

Sound power level	70	dB(A)
With acoustic hood	65	dB(A)

to: Evaporating temperature at dew point

tc: Condensing temperature at dew point

Rating conditions : Superheat = 10 K , Subcooling = 0 K

All performance data +/- 5%

Danfoss can accept no responsibility for possible errors in catalogues, brochures and other printed material. Danfoss reserves the right to alter its products without notice. This also applies to products already on order provided that such alternations can be made without subsequential changes being necessary in specifications already agreed. All trademarks in this material are property of the respective companies. Danfoss and the Danfoss logotype are trademarks of Danfoss A/S. All rights reserved.

Performance data at 60 Hz, ARI rating conditions

R410A

Cond. temp. in °C (tc)	Evaporating temperature in °C (to)							
	-25	-20	-15	-10	-5	0	5	10

Cooling capacity in W

30	6 107	7 688	9 456	11 508	13 939	16 847	20 328	24 477	-
35	-	7 157	8 939	10 921	13 200	15 872	19 034	22 781	-
40	-	-	8 300	10 279	12 471	14 974	17 883	21 294	-
45	-	-	7 474	9 515	11 687	14 085	16 807	19 949	-
50	-	-	-	8 562	10 780	13 141	15 742	18 679	-
55	-	-	-	-	9 683	12 072	14 618	17 418	-
60	-	-	-	-	-	10 814	13 371	16 098	-
65	-	-	-	-	-	-	11 933	14 654	-

Power input in W

30	2 956	2 995	3 020	3 027	3 014	2 975	2 909	2 811	-
35	-	3 312	3 347	3 367	3 368	3 346	3 298	3 221	-
40	-	-	3 718	3 747	3 758	3 749	3 717	3 656	-
45	-	-	4 140	4 173	4 192	4 193	4 171	4 123	-
50	-	-	-	4 655	4 677	4 683	4 669	4 631	-
55	-	-	-	-	5 220	5 228	5 217	5 185	-
60	-	-	-	-	-	5 835	5 825	5 795	-
65	-	-	-	-	-	-	6 498	6 467	-

Current consumption in A

30	5.18	5.22	5.26	5.30	5.35	5.41	5.49	5.59	-
35	-	5.50	5.55	5.59	5.63	5.68	5.75	5.83	-
40	-	-	5.87	5.92	5.97	6.02	6.07	6.13	-
45	-	-	6.24	6.30	6.36	6.41	6.46	6.51	-
50	-	-	-	6.73	6.81	6.87	6.92	6.97	-
55	-	-	-	-	7.32	7.39	7.46	7.52	-
60	-	-	-	-	-	8.00	8.08	8.15	-
65	-	-	-	-	-	-	8.79	8.87	-

Mass flow in kg/h

30	117	146	177	213	255	306	366	439	-
35	-	142	175	211	252	300	356	423	-
40	-	-	170	208	250	296	350	413	-
45	-	-	161	202	246	293	345	405	-
50	-	-	-	192	239	288	341	400	-
55	-	-	-	-	228	280	335	394	-
60	-	-	-	-	-	268	326	387	-
65	-	-	-	-	-	-	313	378	-

Coefficient of performance (C.O.P.)

30	2.07	2.57	3.13	3.80	4.63	5.66	6.99	8.71	-
35	-	2.16	2.67	3.24	3.92	4.74	5.77	7.07	-
40	-	-	2.23	2.74	3.32	3.99	4.81	5.82	-
45	-	-	1.81	2.28	2.79	3.36	4.03	4.84	-
50	-	-	-	1.84	2.30	2.81	3.37	4.03	-
55	-	-	-	-	1.86	2.31	2.80	3.36	-
60	-	-	-	-	-	1.85	2.30	2.78	-
65	-	-	-	-	-	-	1.84	2.27	-

Nominal performance at to = 7.2 °C, tc = 54.4 °C

Cooling capacity	15 958	W
Power input	5 137	W
Current consumption	7.41	A
Mass flow	361	kg/h
C.O.P.	3.11	

Pressure switch settings

Maximum HP switch setting	45	bar(g)
Minimum LP switch setting	1.5	bar(g)
LP pump down setting	2.3	bar(g)

Sound power data

Sound power level	70	dB(A)
With acoustic hood	65	dB(A)

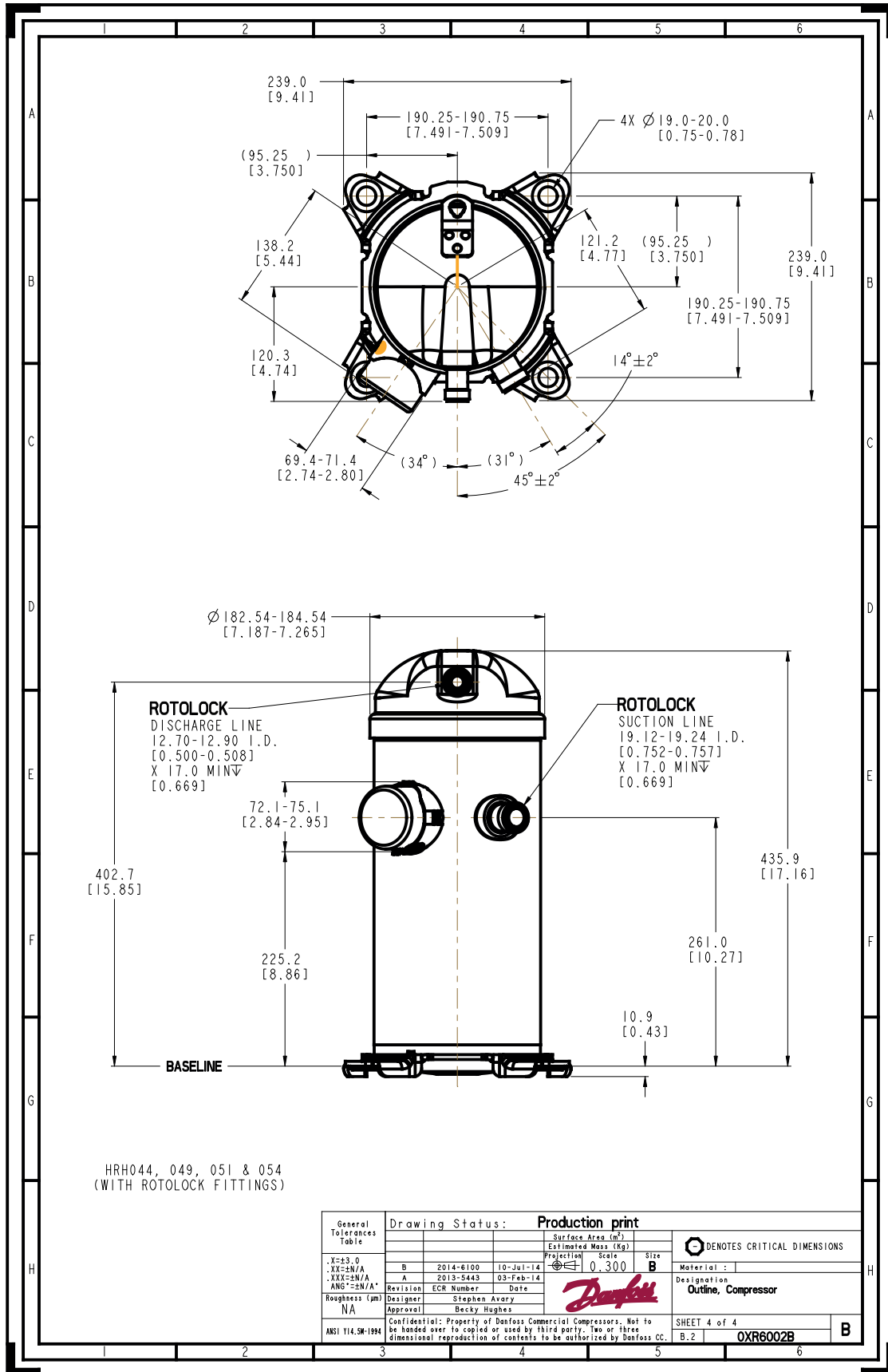
to: Evaporating temperature at dew point

tc: Condensing temperature at dew point

Rating conditions : Superheat = 11.1 K, Subcooling = 8.3 K

All performance data +/- 5%

Danfoss can accept no responsibility for possible errors in catalogues, brochures and other printed material. Danfoss reserves the right to alter its products without notice. This also applies to products already on order provided that such alternations can be made without subsequential changes being necessary in specifications already agreed. All trademarks in this material are property of the respective companies. Danfoss and the Danfoss logotype are trademarks of Danfoss A/S. All rights reserved.



Danfoss can accept no responsibility for possible errors in catalogues, brochures and other printed material. Danfoss reserves the right to alter its products without notice. This also applies to products already on order provided that such alternations can be made without consequential changes being necessary in specifications already agreed. All trademarks in this material are property of the respective companies. Danfoss, the Danfoss logotype and Maneurop are trademarks of Danfoss A/S. All rights reserved.