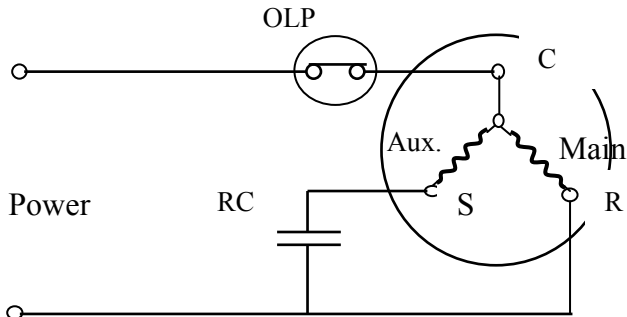


ELECTRICAL COMPONENT & WIRING DIAGRAM

PARTS NAME	SPECIFICATION
RUNNING CAPACITOR	( Out of Supply) Capacity : <b>25</b> $\mu$ F Withstanding Voltage: $\geq$ <b>370</b> VAC
OVER LOAD PROTECTOR	(EXTERNAL) <b>B135-135-241E</b> or Equivalent



- S : START (AUX WINDING)
- R : RUN (MAIN WINDING)
- C : COMMON
- RC: RUNNING CAPACITOR